



EBARA

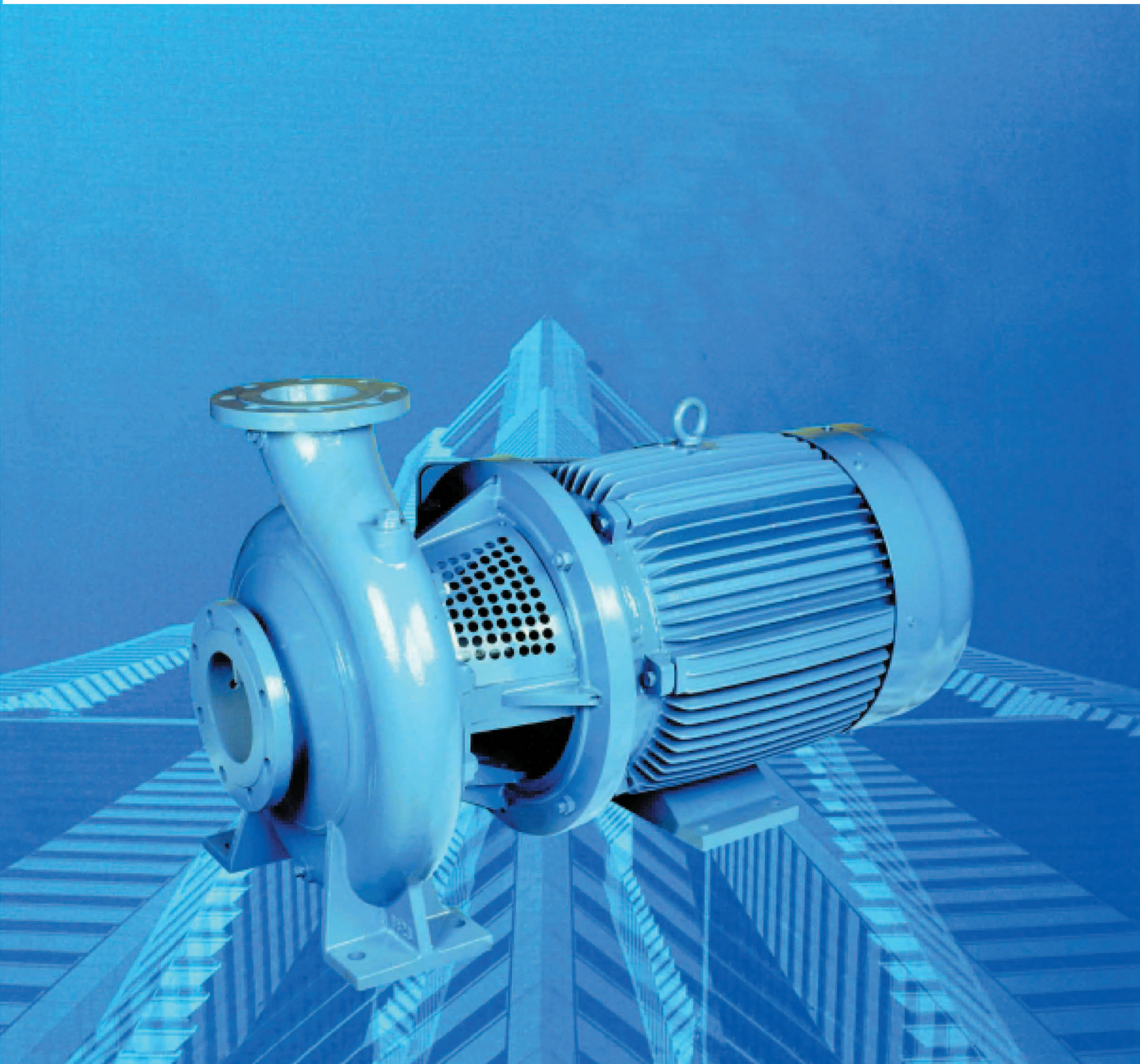


FSD8001-5R2

FLANGE MOTOR WITH STABSHAFT END SUCTION VOLUTE PUMP

Model **FSDA**

50Hz



MONOBLOCK END SUCTION PUMP

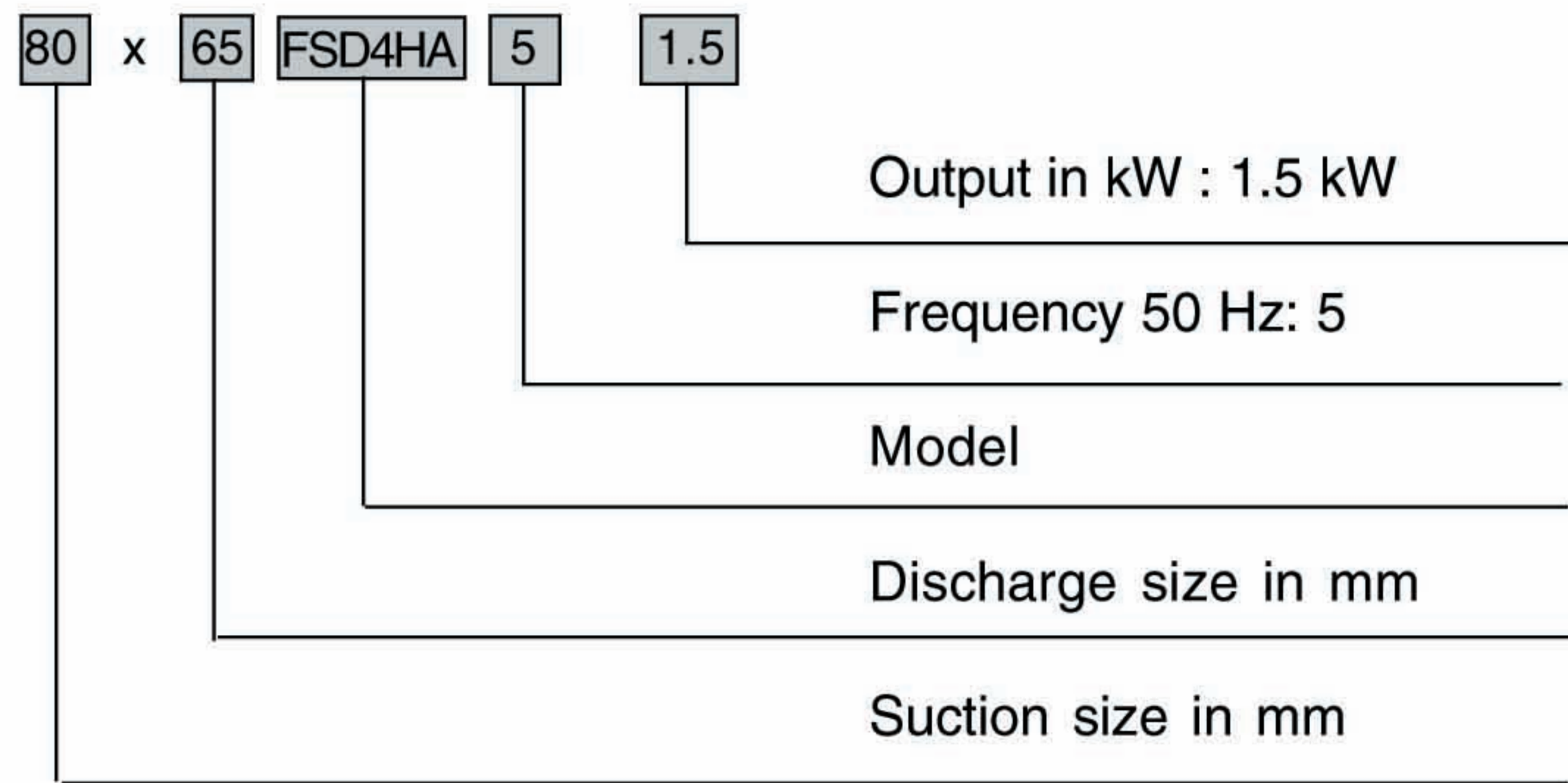
FEATURES

- Motor closed couple, alignment free construction.
- Easy maintenance BPO (Back Pull Out) feature allows all rotating element to be removed without disconnecting the suction and discharge pipework.
- Top centerline discharge, foot support under casing for maximum resistance to misalignment and distortion from pipe loads.
- Higher operating efficiency over a wider range of capacities, lowers operational cost.
- Very compact design for ease of installation and permits minimum maintenance.

APPLICATIONS

- Water supply.
- Hot and cold water circulation.
- For cooling tower.
- Fire-fighting application.
- Irrigation.
- Industrial use.
- Drainage.
- Sprinkling.
- Air-conditioning.
- For swimming pool
- Brine.
- Oils.

MODEL CODE

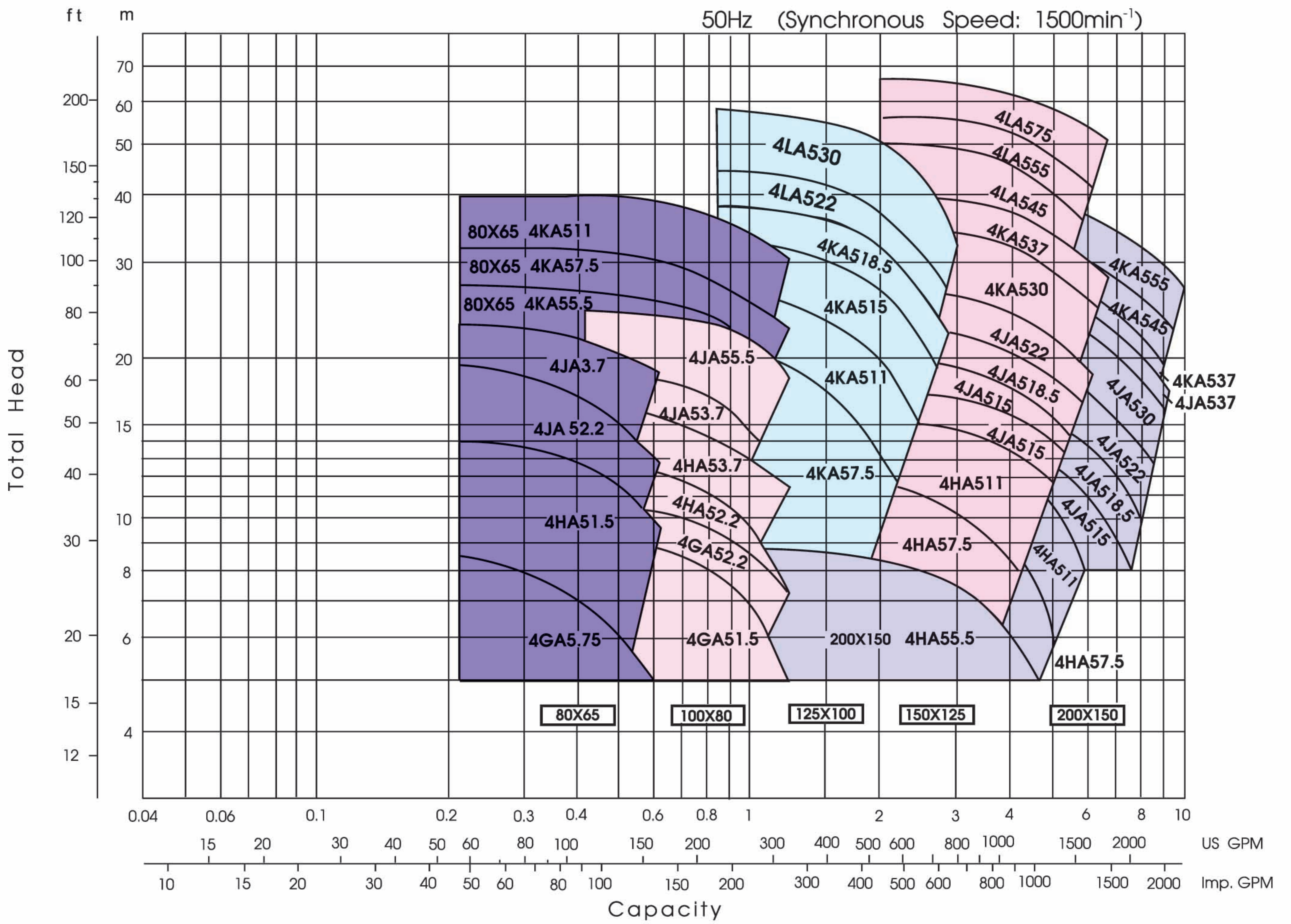


SPECIFICATION

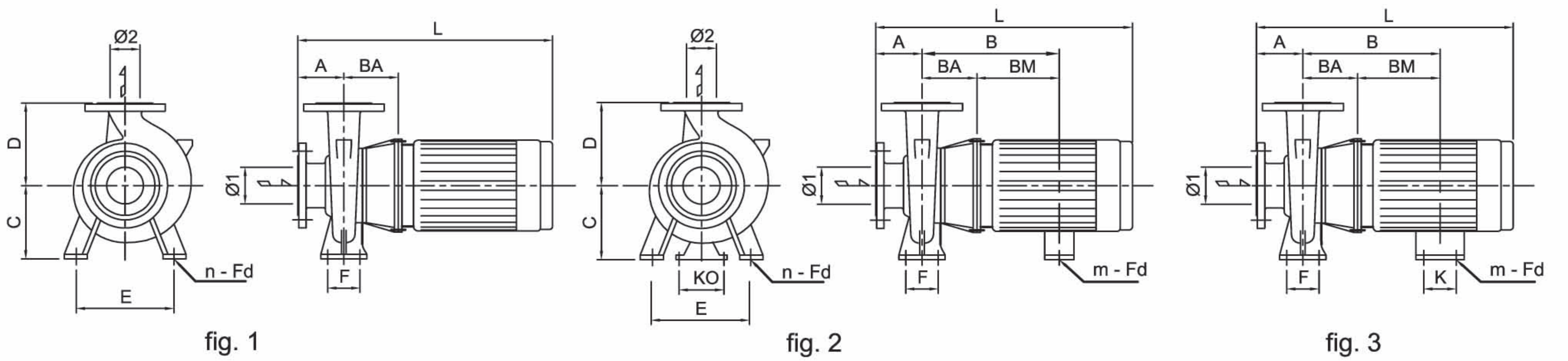
Description		Standard
Model		FSDA
No. of Pole		4
Liquid	Type of liquid	Clean Water
Handled	Temperature	0°C - 100°C (32-212°F)
Max. Positive Suction Pressure (Kgf/cm ²) for M. seal		All except FSLA : 8.2 - (Shutoff pressure) FSLA : 10.2 -(Shutoff pressure)
Max. Working Pressure		10.2 Kgf/cm ² (10 bar)
Available Suction Lift		Suction <= 125 : 6m 125x100 : 4m
Synchronous speed		1450 min ⁻¹
Location		Indoor, Optional : Outdoor
Construction	Shaft seal	Mechanical Seal
	Pump Shaft	Stab Shaft
Material	Casing	Cast Iron
	Bracket	Cast Iron
	Impeller	Bronze
	Shaft	316 Stainless Steel
	M. Seal	Ceramic vs carbon
Flange	Suction	JIS 10 KRF
	Discharge	JIS 10 KRF
Motor		
Type		IEC Standard Flange Type
No. of Pole		4
Synchronous speed		1450 min ⁻¹
Insulation Class		F
Protection		IP 54. Optional : IP 55
Voltage / Phase / Hz		380 V / 3 phase / 50 Hz
Material	Frame	Cast Iron

NOTE : For optional is available upon request

PERFORMANCE




DIMENSION



unit : mm

Size		MODEL	Output kW	Fig. No.	A	BA	BM	C	D	E	F	K	KO	n - Fd	m - Fd	L	T. Berat kg			
1	2																			
80	65	80x65 FSD4GA5.75	0.75	1	100	135	-	160	180	212	70	-	125	4-M12	-	477	78			
		80x65 FSD4HA51.5	1.5						200							556.5	95			
		80x65 FSD4JA52.2	2.2	2		156	133	180	225	250	95	-	125		4-M12	2-M12	570.5	114		
		80x65 FSD4JA53.7	3.7				180										627	125		
		80x65 FSD4KA55.5	5.5	3		125	186	159	225	280	315	120	100		190	4-M16	4-M16	685	225	
		80x65 FSD4KA57.5	7.5					178										723	239	
		80x65 FSD4KA511	11					211										213	834	280
100	80	100x80 FSD4GA51.5	1.5	1	100	135	-	160	200	212	95	-	125	4-M12	-	556.5	94			
		100x80 FSD4GA52.2	2.2						133	549.5						102				
		100x80 FSD4HA52.2	2.2	2		156	180	225	250	-	125	4-M12	2-M12		570.5	115				
		100x80 FSD4HA53.7	3.7												180	627	126			
		100x80 FSD4JA53.7	3.7	3		186	159	200	250	280	120	100	190		4-M16	2-M16	627	134		
		100x80 FSD4JA55.5	5.5														190	4-M16	660	171
125	100	125x100 FSD4KA57.5	7.5	3	140	186	178	250	315	315	120	150	190	4-M16	4-M16	738	258			
		125x100 FSD4KA511	11													213	849	303		
		125x100 FSD4KA515	15													211	235	893	345	
		125x100 FSD4KA518.5	18.5			226	241.5	913	369											
		125x100 FSD4LA522	22			251	260.5	280	355	400	150	250	300			4-M20	4-M20	991	473	
		125x100 FSD4LA530	30				285.5	1051	557											
		150	125			150x125 FSD4HA57.5	7.5	3	140	226	178	250	315			315	120	150	190	4-M16
150x125 FSD4HA511	11			213	864	282														
150x125 FSD4HA515	15			235	908	330														
150x125 FSD4JA515	15			241.5	250	315	120			200	250	4-M16	4-M16	908	337.5					
150x125 FSD4JA518.5	18.5													260.5	928	359.5				
150x125 FSD4JA522	22			260	285.5	280	355			250	300	4-M16	4-M16	966	394					
150x125 FSD4KA530	30													292	1060	559.5				
150x125 FSD4KA537	37			295	305	315	400			400	150	300	350	4-M20	4-M20	1111	594			
150x125 FSD4LA545	45															325	1136	661		
150x125 FSD4LA555	55															344	1177.5	822		
150x125 FSD4LA575	75															1177	876			
200	150	200x150 FSD4HA55.5	5.5	3	160	186	159	280	355	400	150	150	190	4-M20	4-M20	720	277			
		200x150 FSD4HA57.5	7.5				178									758	288			
		200x150 FSD4HA511	11			226	213	280	375	400	150	200	250			4-M20	4-M20	884	329	
		200x150 FSD4JA515	15															235	962	422
		200x150 FSD4JA518.5	18.5			260	241.5	315	400	450	150	250	300			4-M20	4-M20	982	463	
		200x150 FSD4JA522	22															260.5	1020	493
		200x150 FSD4JA530	30			295	285.5	315	400	450	150	250	300			4-M20	4-M20	1080	577	
		200x150 FSD4JA537	37															292	1131	607
		200x150 FSD4KA537	37			336	305	315	400	450	150	300	350			4-M20	4-M20	1172	645.5	
		200x150 FSD4KA545	45															325	1197	693
		200x150 FSD4KA555	55																1238.5	816

All specifications are subject to change without notice

 EBARA CORPORATION	Head Office, Tokyo International Division, Tokyo Singapore Office Beijing Office Bangkok Office Hanoi Office Jakarta Office Kuala Lumpur Office Manila Office Taipei Office Dubai Office	Phone : 81 - 3 - 3743 - 6111 Phone : 81 - 3 - 5461 - 6111 Phone : 65 - 862 - 3536 Phone : 86 - 10 - 6590 - 8150 Phone : 66 - 2 - 216 - 4935 Phone : 84 - 4 - 826 - 3601 Phone : 62 - 21 - 8740852 Phone : 603 - 5569 - 1655 Phone : 63 - 2 - 816 - 7524 Phone : 886 - 2 - 567 - 1310 Phone : 971 - 4 - 883 - 8889	Fax : 65 - 861 - 0589 Fax : 86 - 10 - 6590 - 8158 Fax : 66 - 2 - 216 - 4937 Fax : 84 - 4 - 826 - 3617 Fax : 62 - 21 - 8740033 Fax : 603 - 5569 - 3766 Fax : 63 - 2 - 817 - 6662 Fax : 886 - 2 - 567 - 1046 Fax : 971 - 4 - 883 - 5307	Distributor / Dealer